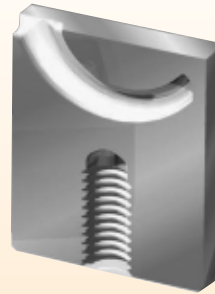
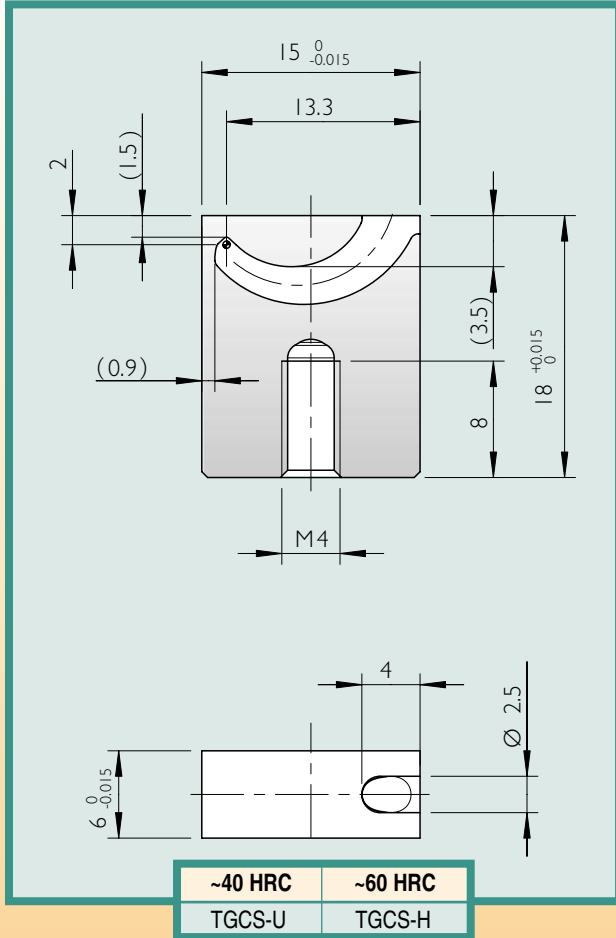




Cashew Gate Inserts

Contourable

For shot weights up to 10g



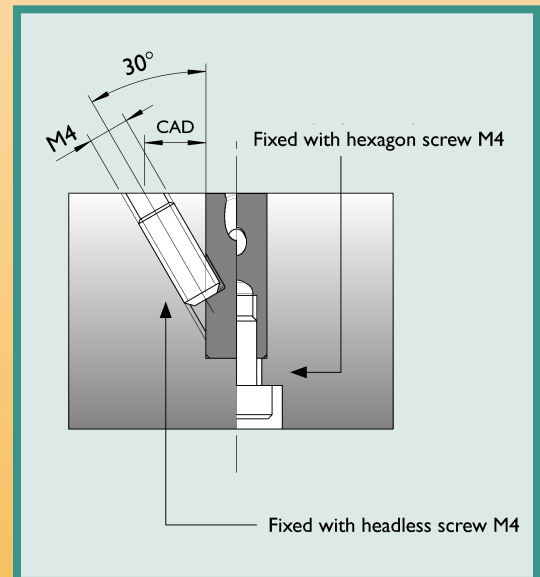
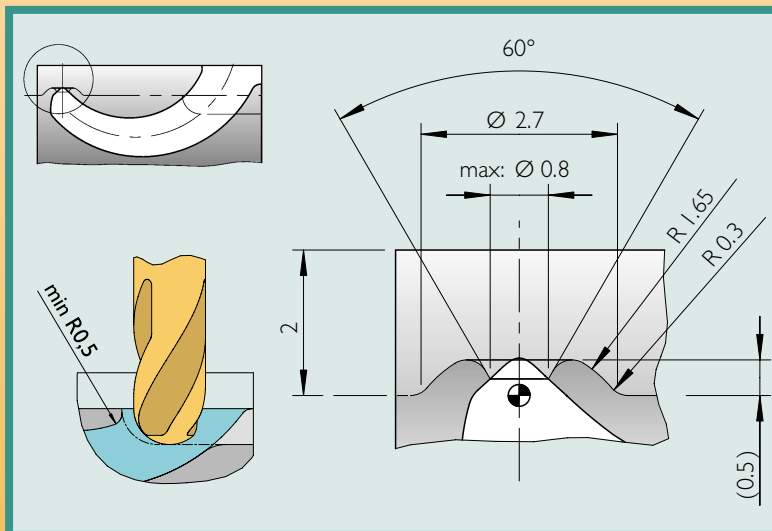
Cutaway View



External View

TGCS

- The maximum contour depth is 2mm.
- Up to 0,8mm gate point diameter.
- Available in two different hardnesses.
- Because the TGCS inserts are only 6mm x 15mm, the installation options have an extra feature. A side angled flat that can be locked with an M4 set screw.
- The TGCS inserts can also be secured with an M4 socket head cap screw.



CAD files available at: